

34D Series - Standard Stepper Motors



FEATURES

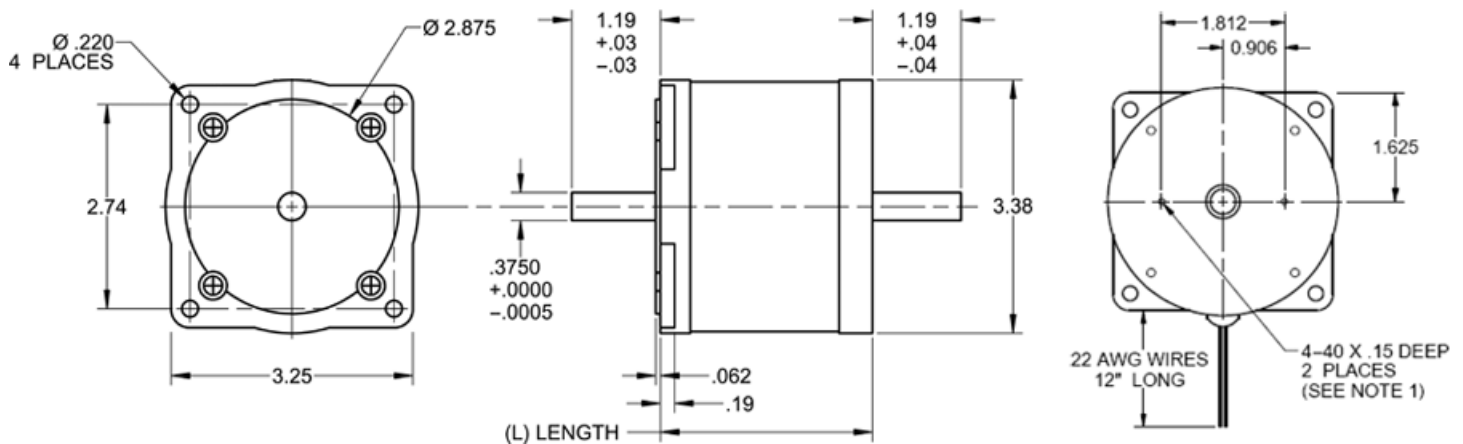
- **NEMA Size 34 Round Stepper Motor**
- **Best Selection for High Speed Applications**
- **1.8° Step Angle**
- **Torque - Up to 630 oz-in**
- **Can be Customized for**
 - **Winding Current**
 - **Shaft Options**
 - **Cables and Connectors**
 - **Lead Configuration**
 - **Conduit Box**



DESCRIPTION

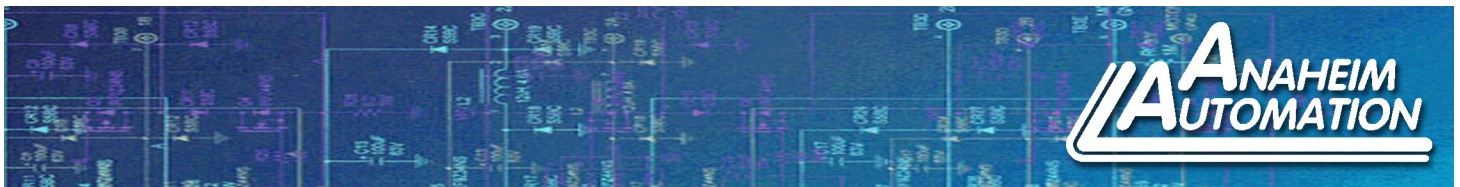
The 34D Series Stepper Motors is a standard (round-bodied) style stepper motor. They have lower rotor inertia than square high torque motors which allow them to accelerate faster and offer higher torque at speeds greater than 25 revolutions per second. These motors are an excellent choice to replace many of the round stepper motors that were popular for many years. The motor comes in a standard 6-lead configuration with a broad line of motor windings and stack lengths available off-the-shelf. Anaheim Automation can also customize the winding to perfectly match your voltage, current, and maximum operating speed. Special shaft modifications, lead configuration, conduit box, cables and connectors are also available upon request. Often referred to as "legacy motors," the 34D series is a good cross to the Superior Electric Slosyn series M091, M092, and M093.

DIMENSIONS



(All units are inches)

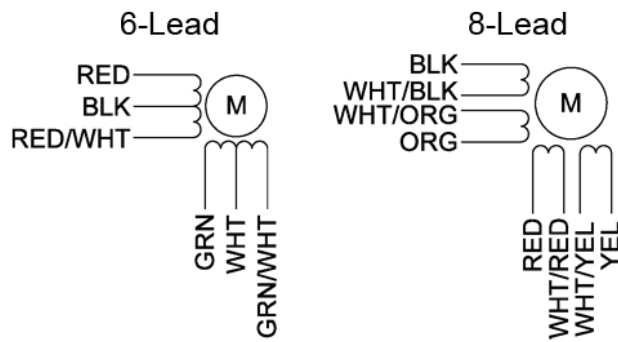
L010392



SPECIFICATIONS

Model #	NEMA Size	Bipolar Torque (oz-in)	Series Current (A)	Unipolar Current (A)	Parallel Current (A)	Unipolar Inductance (mH)	Rotor Inertia (oz-in-sec ²)	Shaft Diameter (in)	# of Lead Wires	Weight (lbs)	L Length (in)
34D106D	34	210	2.1	3.0	---	3.80	0.00975	0.375	6	3.25	2.45
34D106D-LW8	34	210	2.1	3.0	4.2	3.80	0.00975	0.375	8	3.25	2.45
34D106S	34	210	2.1	3.0	---	3.80	0.00975	0.375	6	3.25	2.45
34D106S-LW8	34	210	2.1	3.0	4.2	3.80	0.00975	0.375	8	3.25	2.45
34D109D	34	210	3.4	4.8	---	1.60	0.00975	0.375	6	3.25	2.45
34D109D-LW8	34	210	3.4	4.8	6.8	1.60	0.00975	0.375	8	3.25	2.45
34D109S	34	210	3.4	4.8	---	1.60	0.00975	0.375	6	3.25	2.45
34D109S-LW8	34	210	3.4	4.8	6.8	1.60	0.00975	0.375	8	3.25	2.45
34D207D	34	420	2.5	3.5	---	4.25	0.0195	0.375	6	5.5	3.70
34D207D-LW8	34	420	2.5	3.5	5.0	4.25	0.0195	0.375	8	5.5	3.70
34D207S	34	420	2.5	3.5	---	4.25	0.0195	0.375	6	5.5	3.70
34D207S-LW8	34	420	2.5	3.5	5.0	4.25	0.0195	0.375	8	5.5	3.70
34D209D	34	420	3.3	4.6	---	2.70	0.0195	0.375	6	5.5	3.70
34D209D-LW8	34	420	3.3	4.6	6.5	2.70	0.0195	0.375	8	5.5	3.70
34D209S	34	420	3.3	4.6	---	2.70	0.0195	0.375	6	5.5	3.70
34D209S-LW8	34	420	3.3	4.6	6.5	2.70	0.0195	0.375	8	5.5	3.70
34D213D	34	420	4.6	6.5	---	1.25	0.0195	0.375	6	5.5	3.70
34D213D-LW8	34	420	4.6	6.5	9.2	1.25	0.0195	0.375	8	5.5	3.70
34D213S	34	420	4.6	6.5	---	1.25	0.0195	0.375	6	5.5	3.70
34D213S-LW8	34	420	4.6	6.5	9.2	1.25	0.0195	0.375	8	5.5	3.70
34D307D	34	630	2.5	3.5	---	7.00	0.0285	0.375	6	7.8	5.31
34D307D-LW8	34	630	2.5	3.5	4.9	7.00	0.0285	0.375	8	7.8	5.31
34D307S	34	630	2.5	3.5	---	7.00	0.0285	0.375	6	7.8	5.31
34D307S-LW8	34	630	2.5	3.5	4.9	7.00	0.0285	0.375	8	7.8	5.31
34D311D	34	630	3.9	5.5	---	2.90	0.0285	0.375	6	7.8	5.31
34D311D-LW8	34	630	3.9	5.5	7.8	2.90	0.0285	0.375	8	7.8	5.31
34D311S	34	630	3.9	5.5	---	2.90	0.0285	0.375	6	7.8	5.31
34D311S-LW8	34	630	3.9	5.5	7.8	2.90	0.0285	0.375	8	7.8	5.31
34D314D	34	630	4.9	7.0	---	1.70	0.0285	0.375	6	7.8	5.31
34D314D-LW8	34	630	4.9	7.0	9.9	1.70	0.0285	0.375	8	7.8	5.31
34D314S	34	630	4.9	7.0	---	1.70	0.0285	0.375	6	7.8	5.31
34D314S-LW8	34	630	4.9	7.0	9.9	1.70	0.0285	0.375	8	7.8	5.31

Connection	Lead Wire Connection	6-Lead Wire Color	8-Lead Wire Color
4 - Lead Bipolar Series MBC, MLP or MLA Series Do Not Connect Do Not Connect	Phase 1 (A)	Red	Black
	Phase 3 (/A)	Red/White	Orange
	Phase 2 (B)	Green (GRN)	Red
	Phase 4 (/B)	GRN/WHT	Yellow
	Do Not Connect	Do Not Connect	White/Black & White/Orange White/Red & White/Yellow
4 - Lead Bipolar Parallel MBC, MLP or MLA Series	Phase 1 (A)		Black & White/Orange
	Phase 3 (/A)	--	Orange & White/Black
	Phase 2 (B)		Red & White/Yellow
	Phase 4 (/B)		Yellow & White/Red
6 - Lead Unipolar BLD, TM Series	Phase 1	Red	Black
	Phase 3	Red/WHT	Orange
	Phase 2	Green (GRN)	Red
	Phase 4	GRN/WHT	Yellow
	Common Phase 1 & 3 Common Phase 2 & 4	Black (BLK) White (WHT)	White/Black & White/Orange White/Red & White/Yellow



Step Angle Accuracy: +/- 5% of one step

Resistance Accuracy: +/- 10%

Inductance Accuracy: +/- 20%

Temperature Rise: 100° C

Ambient Temperature: -20° C to +50° C

Insulation Type: Class B

Insulation Resistance: 1000M Ohms at 500VDC